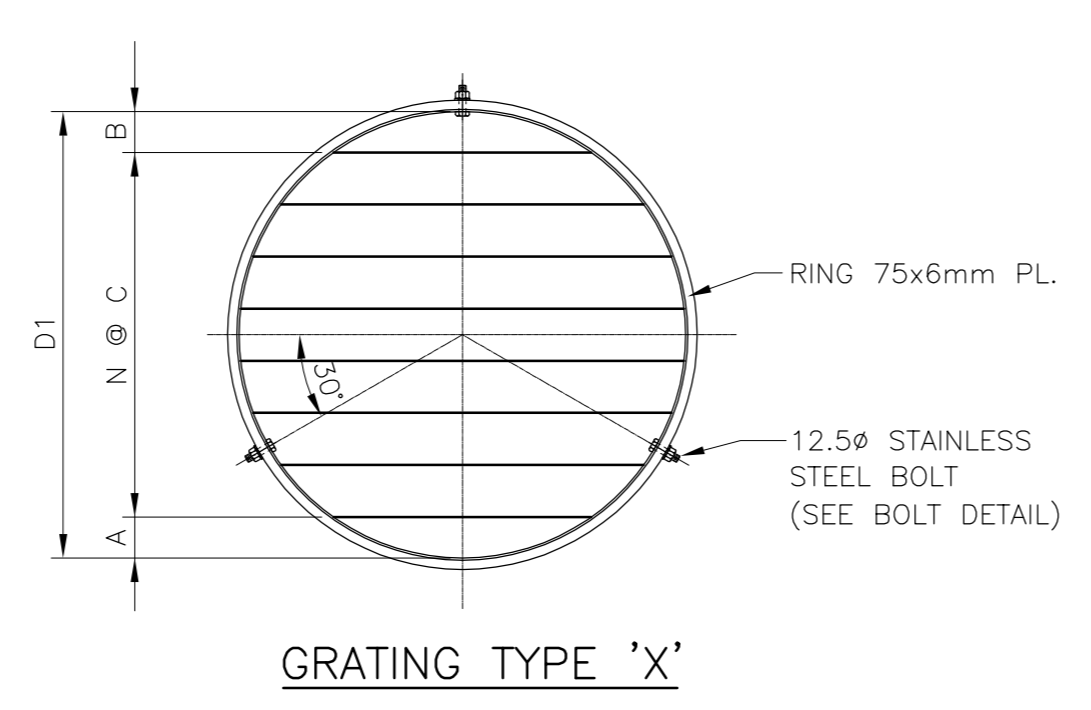
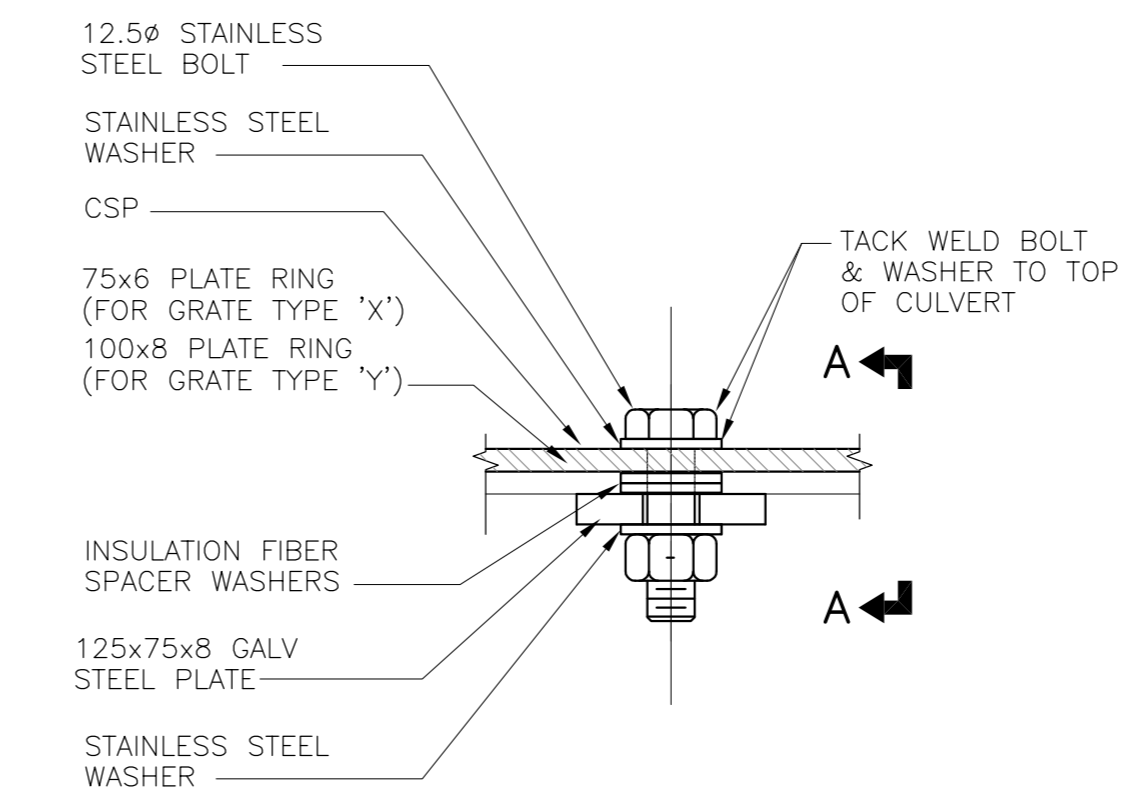


STANDARD PIPE END DETAILS



STANDARD GRATE TYPE

SCALE: NTS



12.5 ϕ STAINLESS STEEL BOLT DETAILS

SCALE: NTS

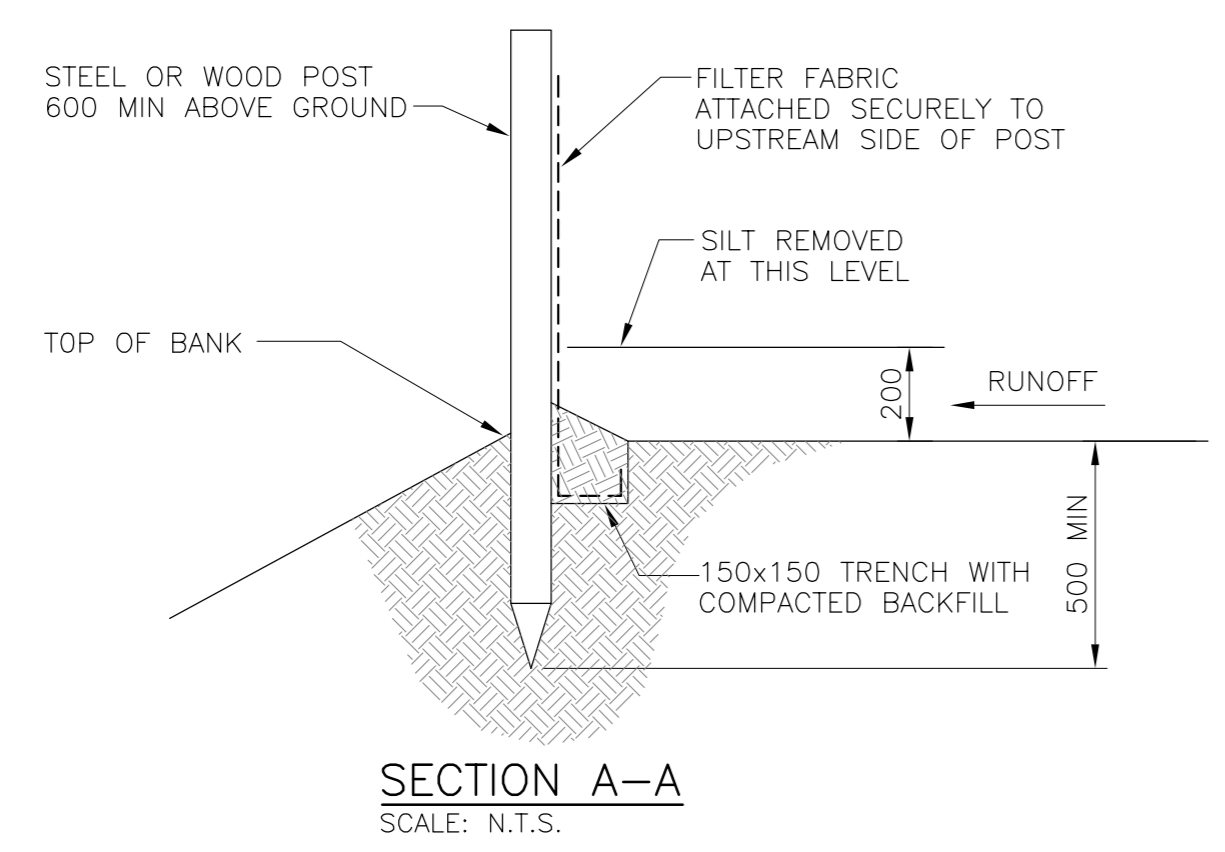
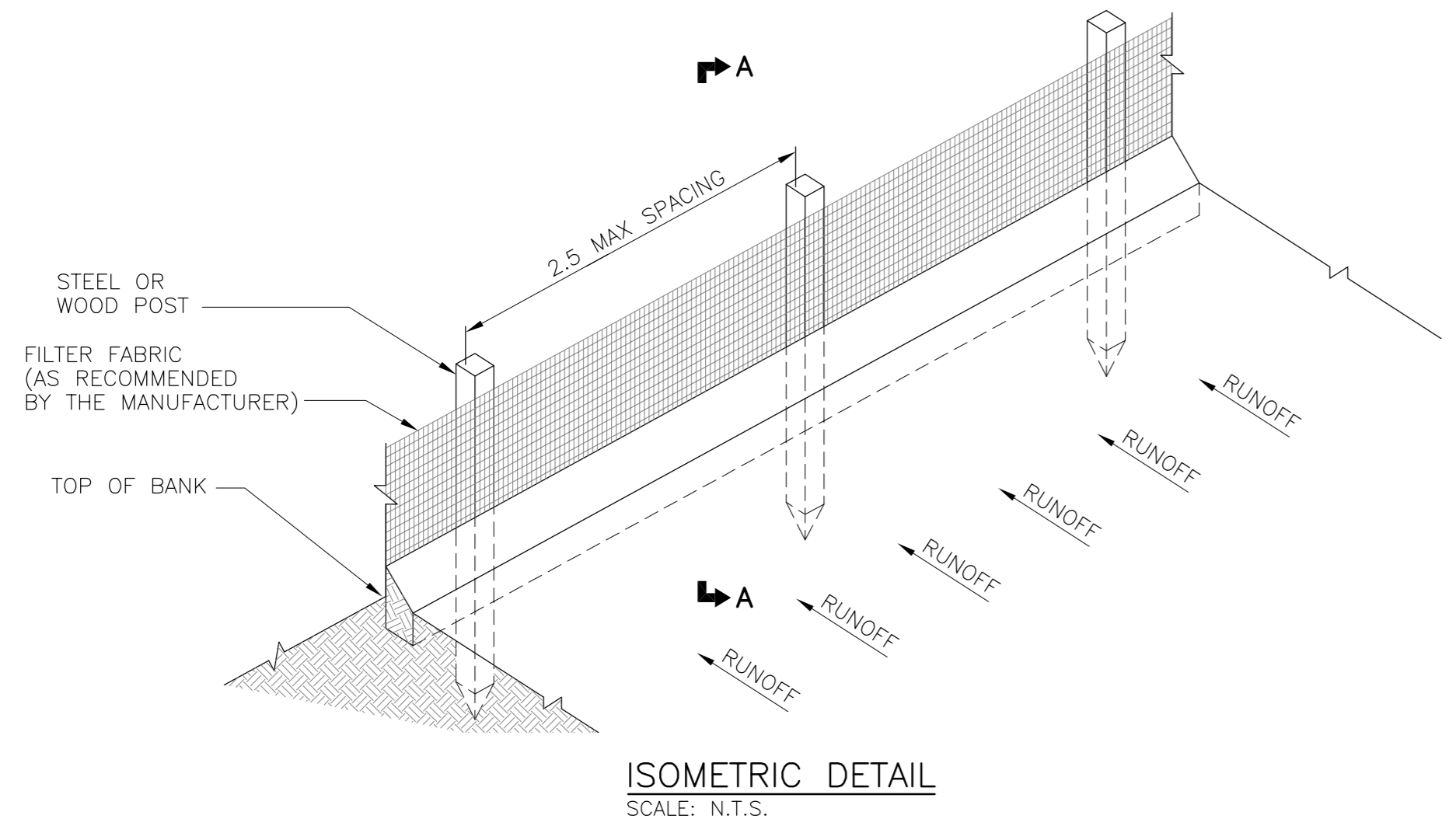
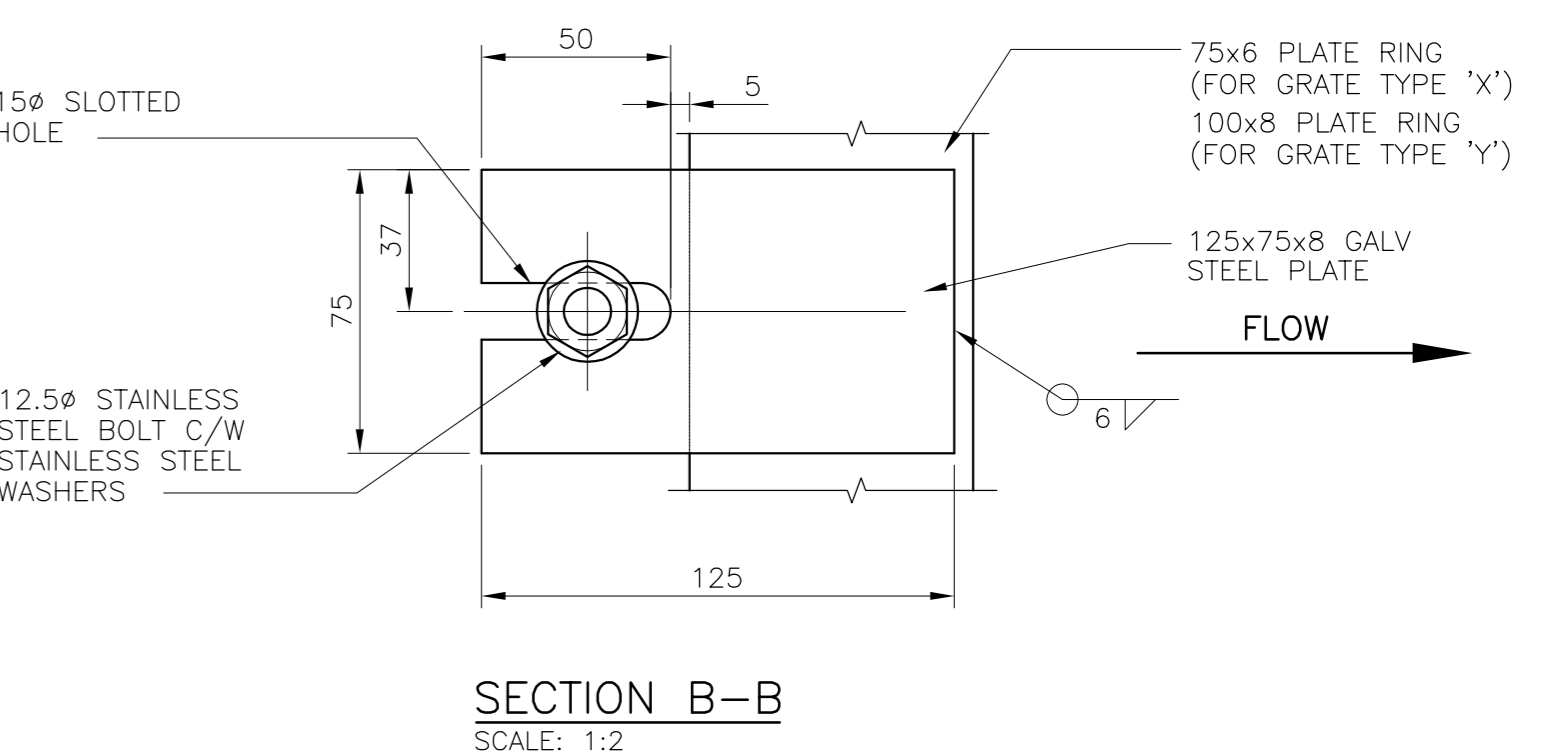
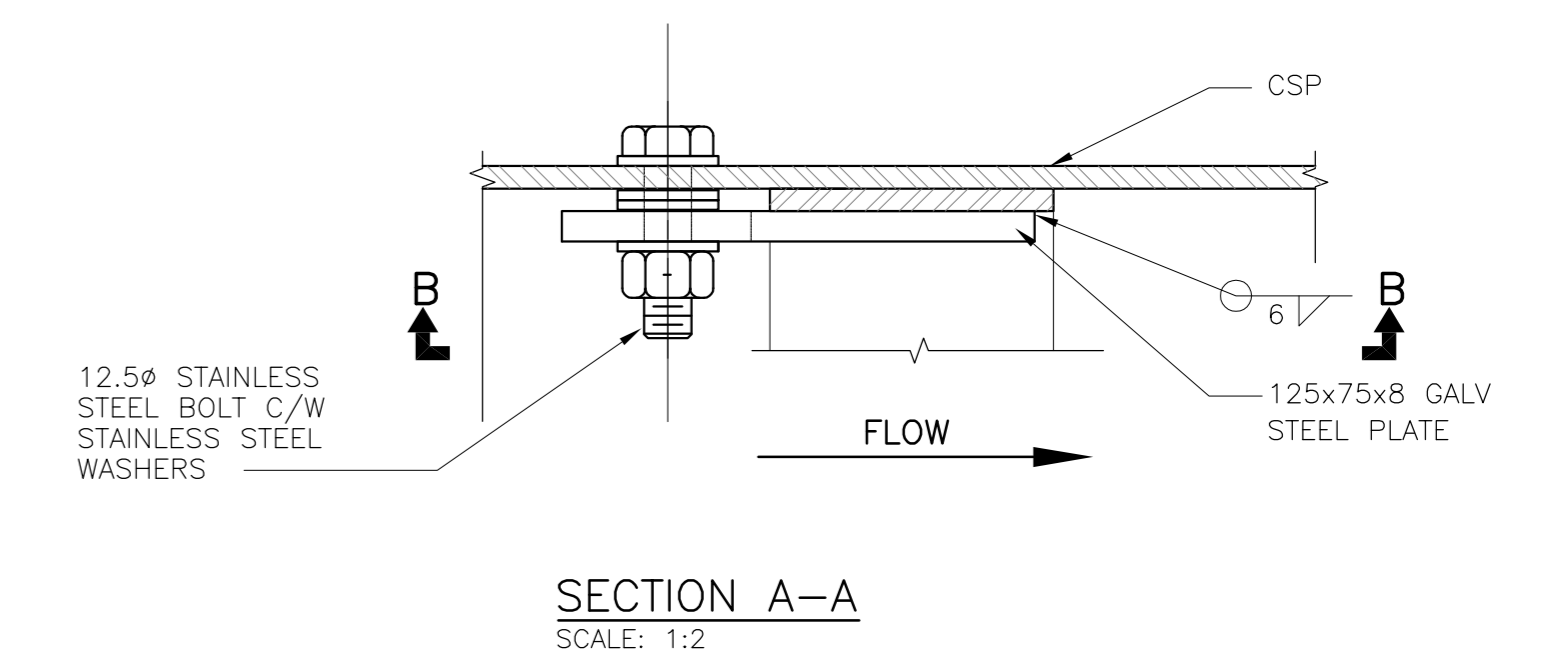
LOCATION	PIPE		END CONDITION	GRATING							WEIGHT (lbs)
	DIAMETER D	MATERIAL		DIAMETER D1	TYPE	BAR DIA.	A	B	C	N	
OAKCREST PLACE (RR-34)	600	CSP	1	588	X	15	150	138	150	2	22
OLIVE STREET (AS-33)	900	CSP	2	885 \pm	X	20	150	75	165	4	42

NOTE:

1. ALL PLATES AND BARS ARE CSA G40.21-300W.
2. ALL COMPONENTS ARE GALVANIZED.
3. ALL BOLTS TO BE TYPE 316 STAINLESS STEEL CONFORMING TO ASTM A320 GRADE 888.

STANDARD DEBRIS GRATE DETAILS

SCALE: NTS



SILT FENCE DETAILS

<p>LOCATION APPROVED UNDERGROUND STRUCTURES</p> <p>SUPV. U/G STRUCTURES COMMITTEE DATE</p> <p>NOTE: LOCATION OF UNDERGROUND STRUCTURES AS SHOWN ARE BASED ON THE BEST INFORMATION AVAILABLE BUT NO GUARANTEE IS GIVEN THAT ALL EXISTING UTILITIES ARE SHOWN OR THAT THE GIVEN LOCATIONS ARE EXACT. CONFIRMATION OF EXISTENCE AND EXACT LOCATION OF ALL SERVICES MUST BE OBTAINED FROM THE INDIVIDUAL UTILITIES BEFORE PROCEEDING WITH CONSTRUCTION.</p>	<p>B.M. KGS BASE ELEV. -</p> <p>DWGS BASED ON C.S.R.S. NAD 83 SYSTEM, UTM GRID</p>	<p>KGS GROUP CONSULTING ENGINEERS</p> <p>DESIGNED BY: EMS</p> <p>CHECKED BY: RBO</p> <p>DRAWN BY: DMW</p> <p>APPROVED BY:</p> <p>SCALE: AS NOTED</p> <p>RELEASED FOR CONSTRUCTION:</p>	<p>ENGINEER'S SEAL</p> <p>CONSULTANT DRAWING NO. 12-0107-13</p>	<p>THE CITY OF WINNIPEG WATER AND WASTE DEPARTMENT</p> <p>PROJECT TITLE: 2014 OUTFALL RENEWAL REHABILITATION PROGRAM</p> <p>MISCELLANEOUS DETAILS SHEET 1 OF 2</p>	<p>SHEET 01 OF 02</p> <p>COMPUTER FILE NAME: 12-0107-13</p> <p>CITY DRAWING NUMBER: LD-7274</p>
---------------------------------------------------------------------------------------------------------------------------------------------------------------------------------------------------------------------------------------------------------------------------------------------------------------------------------------------------------------------------------------------------------------------------------------------------------	------------------------------------------------------------------------------------	---------------------------------------------------------------------------------------------------------------------------------------------------------------------------------------------------	-----------------------------------------------------------------	-------------------------------------------------------------------------------------------------------------------------------------------------------------------------------	-------------------------------------------------------------------------------------------------

APEGM
Certificate of Authorization
KGS Group
No. 245

P:\Projects\2012\12-0107-013\Dec.Control\JobIssued\DWG\12-0107-013_LD-7274-Rev 0.dwg - Tab: LD-7274 - Plotted By: DWeber, 12/05/2013 [Thu 1:44pm]